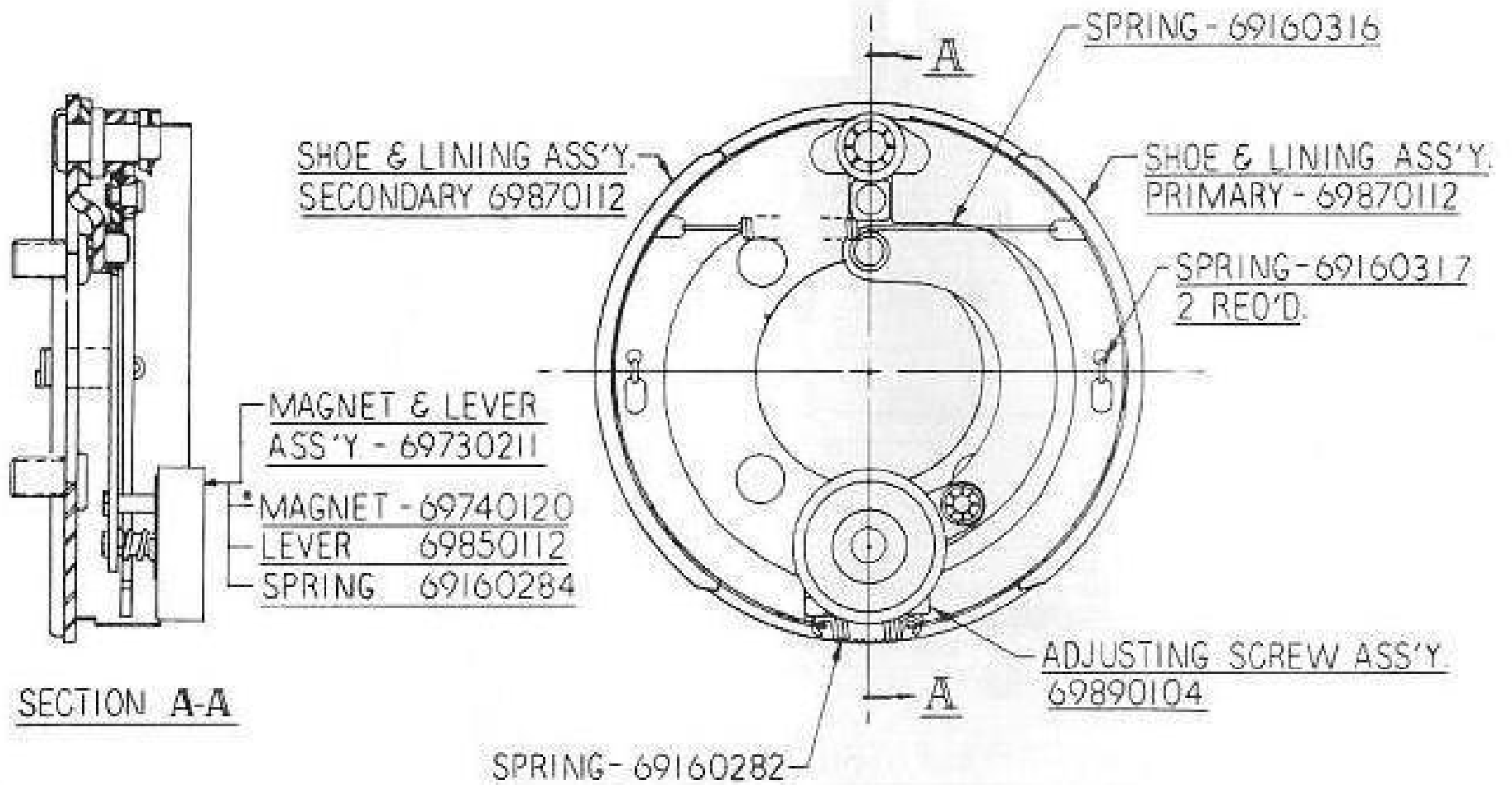


**Fayette 7 1/4" x 1 1/2"**

**[www.ApacheOwners.com](http://www.ApacheOwners.com)**

CAMPER & BOAT 7 1/4 x 1 1/2 ELECTRIC BRAKE 60250178 R.H.



\*NOTE: Apache Trailer Only  
Magnet Number - 69740122